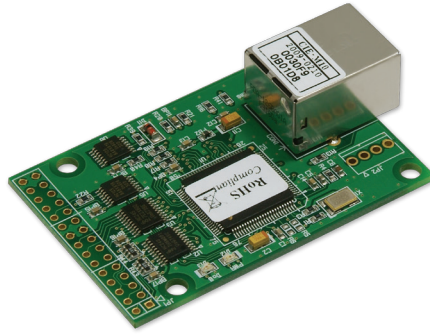


# CIE-M10

## (8 Ports Remote I/O Module)



## Overview

CIE-M10是支持8个数字输入端口(Digital Input Port)和8个数字输出端口(Digital Output Port), 1个模拟输入端口(ADC), 支持远程的I/O控制模块(Remote I/O Module)。提供通过以太网或是因特网监视或控制输入/输出端口的功能,通过原有节点的网络可进行控制, 故在远程任何地点不必担心距离限制轻松管理I/O设备。不仅如此, 因还提供串行↔TCP/IP转换功能, 没有有线转换器时, 也可轻松管理串行设备。

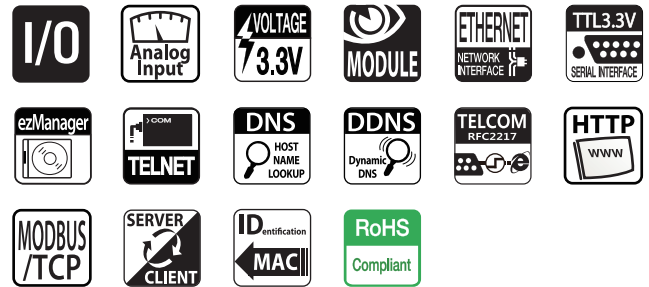
控制CIE-M10节点时基本利用Modbus/TCP, 而且还支持HTTP方式, 故通过网页可控制输出端口, 此时客户通过用户网页上传功能可将控制页面变更为符合自己用途的画面。更进一步根据输入端口的简单逻辑式还提供自动控制输出端口的Macro功能。

CIE-M10适用于任何需监视及控制的I/O设备的环境, 特别适用于因特网开关等应用领域。

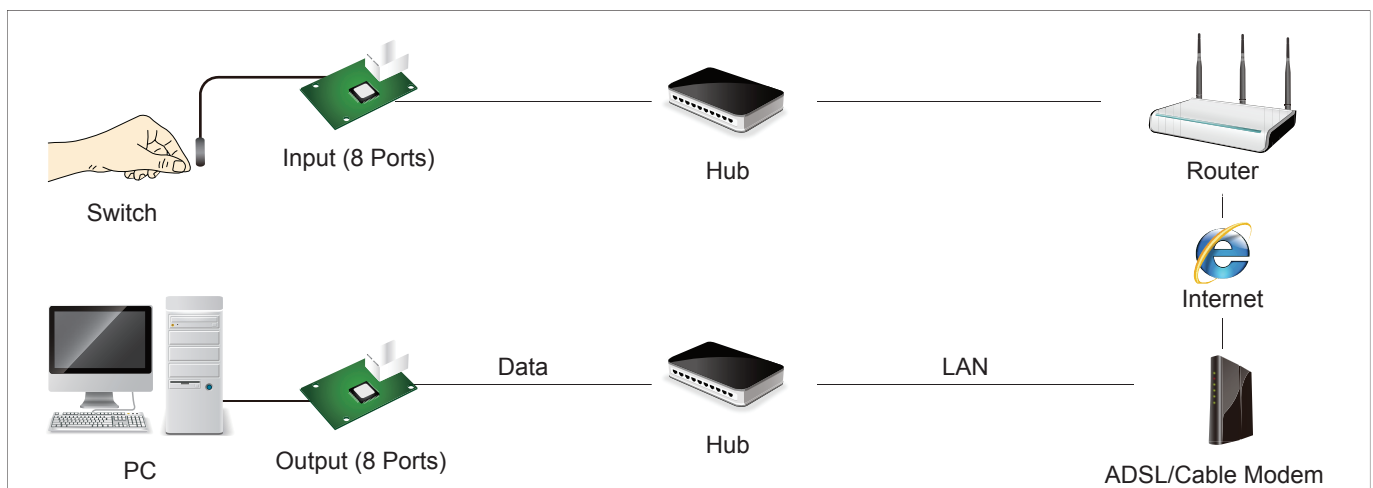
## Highlights

- 远程数字输入/输出 监视/控制
- 8个数字输入端口 (3.3V CMOS接口)
- 8个数字输出端口 (3.3V CMOS接口)
- 1个ADC端口 (10字节)
- 通过Modbus/TCP或是HTTP监视/控制
- 提供用户网页上传功能
- 支持简单逻辑式控制 (可独立工作)
- 1个UART端口 (最大230,400bps, 支持UART↔TCP/IP 转化功能)
- 保安功能 (IP/MAC filtering, Password)

## Icons



## Applications

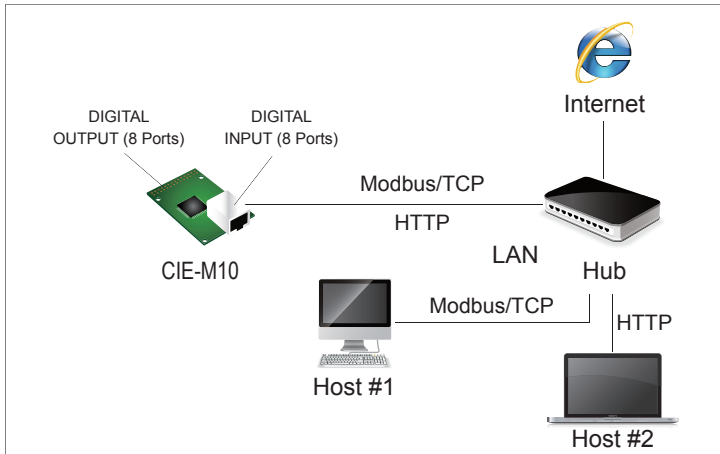


# Specifications

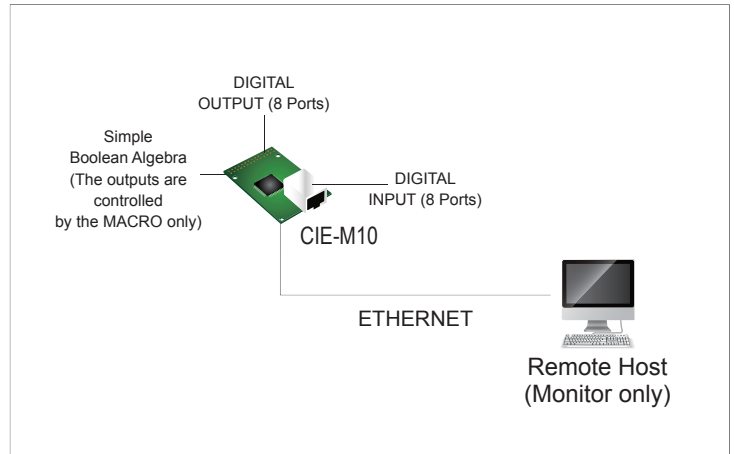
Digital Input Port	
Number of Ports	8
Interface	3.3V CMOS
Electric Parameter	Min VIL = -0.3V, Max VIL = 0.8V / Min VIH = 2.0V, Max VIH = 5.5V
Digital Output Port	
Number of Ports	8
Interface	3.3V CMOS
Relay Capacity	Min VOH = 2.9V, Max VOL = 0.4V
Analog Input Port	
Number	10bit ADC 1 Port
Interface	ADIN, ADVREF
Conversion Time	2.33us
Electric Parameter	Min ADVREF = 2.6V, Max ADVREF = 3.3V
	ADIN's Input Voltage Range = 0V ~ ADVREF
Serial Physical Interface	
Serial Interface	1 x UART Port / RXD, TXD, RTS, CTS, GND
Electric Parameter	Min VIL = -0.3V, Max VIL = 0.8V
	Min VIH = 2.0V, Max VIH = 5.5V
	Min VOH = 2.9V, Max VOL = 0.4V
Serial Port Property	
Baudrate	300 bps ~ 230,400 bps
Data Bits	5, 6, 7, 8 bits
Parity	None, Even, Odd, Mark, Space
Stop Bit	1, 1.5, 2
Network Physical Interface	
Network Interface	10Base-T/100Base-TX Ethernet (RJ45)
	Ethernet Speed Auto Sense
	1:1 or Cross-over Cable Auto Sense
	1000 VAC Isolation
Software Functions	
Protocols	TCP, UDP, IP, ICMP, ARP, Ethernet, TELNET
	TFTP, DHCP, PPPoE, DNS, DDNS, HTTP, Modbus/TCP
	Telnet COM Port Control Option (RFC2217)
Security	IP & MAC filtering - Restrict host or network
	Password for Configuring
Digital I/O Port Communication Mode	Modbus/TCP, HTTP(User web page)
	Stand alone(by simple equation)
Serial Communication Mode	TCP Server (T2S)
	TCP Client (COD)
	TCP Server/Client with AT command (ATC) - Patent
	UDP Mode (U2S)

Additional Functions	Remote Debug Function
	TCP Server/Client Mode
	Sending MAC address Option
Indicators (LEDs)	
Power	Red
Digital Output Port 0	Green
Management	
ezManager	Configuration and Monitoring Tool through Ethernet
Telnet	Telnet Login
AT Command	Configuring in ATC mode - Patent
Supplementary Software	
Modmap	Modbus/TCP program for management of CIE-M10
ezVSP	Serial to Network Virtual Driver for Windows
ezTerm	Simple TCP/IP Communication Test Tool
Dimension	
Size	644mm x 40mm x 17mm
Operating Environment	
Input Voltage	DC 3.3V±0.3V
Current Consumption	190mA @ 3.3V without load
Operating Temperature	0°C ~ +70°C
Storage Temperature	-40°C ~ +85°C

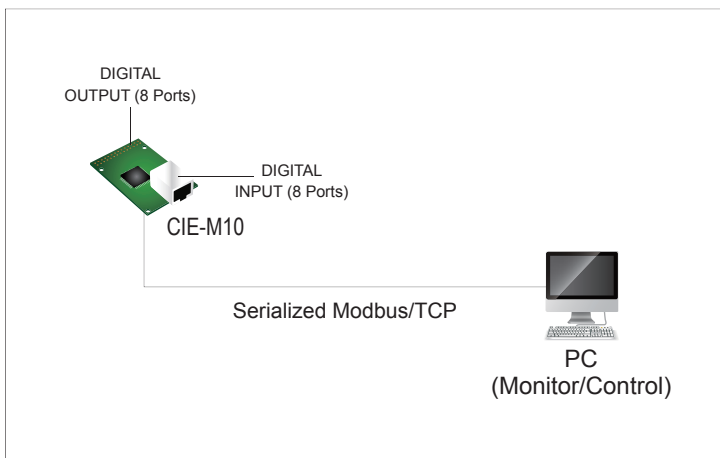
# System Diagram



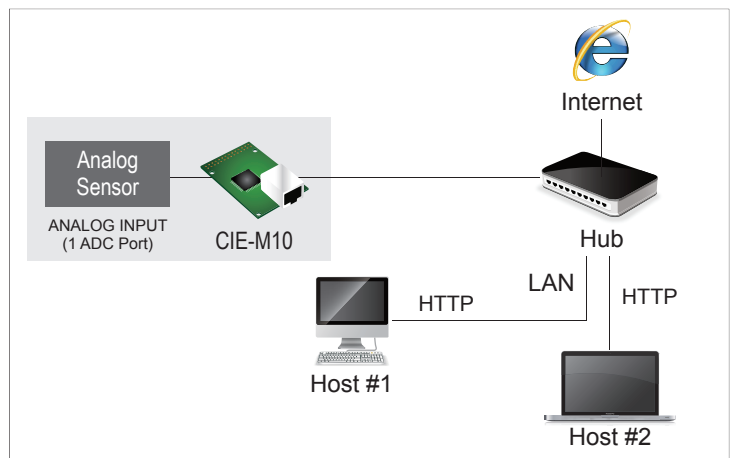
Modbus/TCP and HTTP



MACRO (Stand Alone)



Serialized Modbus/TCP



Analog Input Monitoring