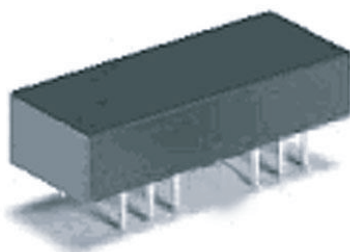


EXTENDED TEMPERATURE SURFACE MOUNT 10BASE-T INTERFACE MODULES

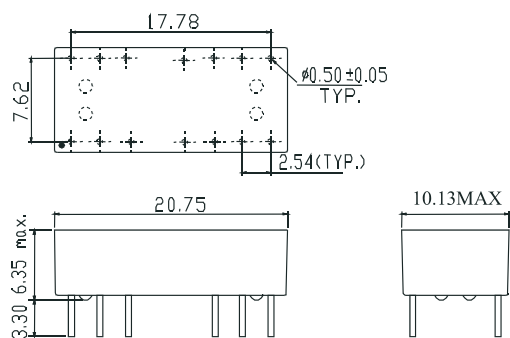
Fully Integrated for Adapter, Hub, and Motherboard Applications



Electrical Specifications @ 25°C — Operating Temperature 0°C to 70°C

Part Number	Insertion Loss 1 to 10 MHz (dB MAX)	Attenuation (XMIT) (dB MIN)			Return Loss 5 to 10MHz (dB MIN)	Crosstalk (dB MIN)	Common Mode Rejection (XMIT) (db MIN)
		30 MHz	50 MHz	100 MHz			
EF5001	-1.0dB	-32/-20dB	-35dB	-35dB	-15dB	-35dB	-30dB

Mechanical



Schematics

